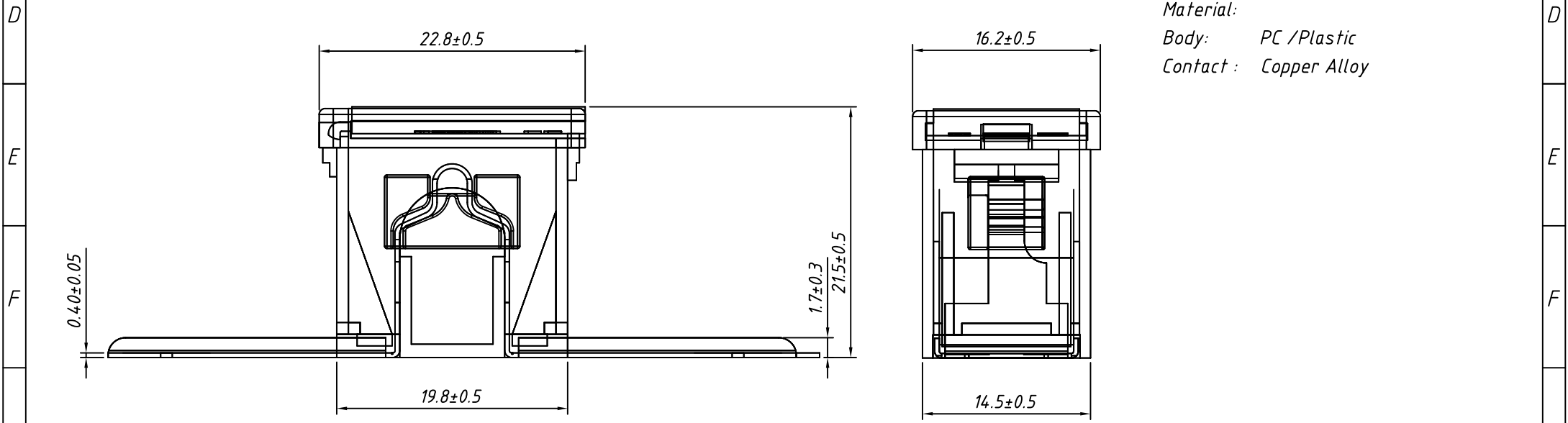


Part Number	Current Rating	Housing Color
L-KLS5-228D-020-A	20A	White
L-KLS5-228D-030-A	30A	Pink
L-KLS5-228D-040-A	40A	Green
L-KLS5-228D-050-A	50A	Red
L-KLS5-228D-060-A	60A	Yellow
L-KLS5-228D-070-A	70A	Brown
L-KLS5-228D-080-A	80A	Black
L-KLS5-228D-100-A	100A	Blue

Characteristics:
 Voltage Rating: 32V DC
 Current Rating: 20A ~ 100A
 Operating Temperature: -40°C to +125°C

Material:
 Body: PC /Plastic
 Contact : Copper Alloy



Time-Current Characteristics

% of Rating	Opening Time
110	14400s
200	5s to 100s
350	0.2s to 7s
600	0.04s to 1s

GENERAL TOLERANCE	PROJECTION		Description:
X. ±0.5	UNITS	mm	32V Auto Link PAL Fuse
.X ±0.25	SCALE	2:1	
.XX ±0.15	Draw by:	Daniel	KLS P/N: L-KLS5-228D-XXX-A
ANGLE TOLERANCE	Check by:	Daniel	NingBo KLS ELECTRONIC CO.,L TD.
X. ±5°	Date	2022-09-01	
.X ±3°	SHEET	1 OF 1	
.XX ±2°			